

LGP

PLUNGER METERING PUMP



ZHEJIANG LIGAO PUMP TECHNOLOGY CO.,LTD

Add: No. 227, Huishu Road, Liangshui Industrial Zone, Linhai City, Zhejiang, China

Zip Code: 317000

Tel: +86 - 576 -85289780

Fax: +86 - 576-85668297

Email: sales@ligaopumps.com

CE ISO9001 ISO14001



JSX



2J-X



JSZ



JSR



JSD



JDR



J-T

Plunger Pumps

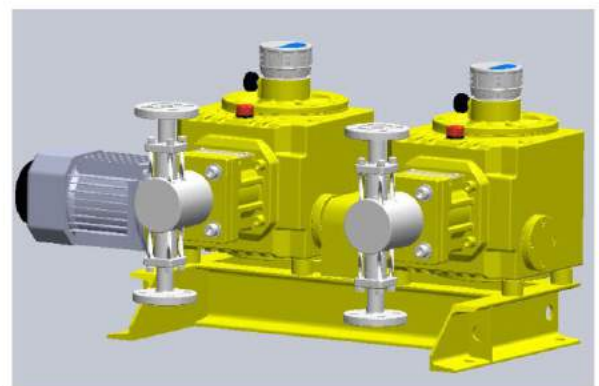
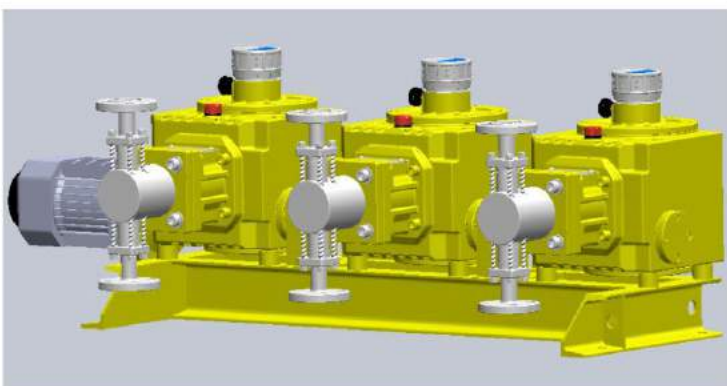
LGP plunger pump is designed for high pressure and heavy-duty applications. All LGP plunger pumps are push and pull design. Unlike loss motion pumps, LGP plunger pumps are without spring. The plunger makes harmonic motion by the crankshaft.

Features:

- Flow rate can be adjusted via unique adjusting mechanism from 0-100%
- The adjustment can be carried when pump is in operation or at stop
- The steady accuracy is $\pm 1\%$ from 30%-100% of the maximum output
- Automatic operation is achieved by variable speed drive
- Special application for high temperature or low temperature is available with cooling jacket or heating jacket

Materials:

- Pump Head: SS304, SS316
- Pump Case: Cast Iron
- Plunger: Ceramic or SS316 coated with ceramic
- Packing Seal: PTFE and SS316 Ring
- Valves: SS304, SS316
- Valve Balls: SS304, SS316, Ceramic



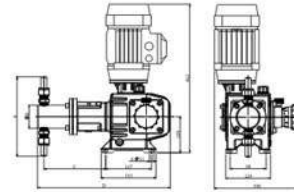
Multiplex drive unit is available for model JSZ,JSR,JSD,JDR



JSX Series

Unit: mm

| Model | A | B | C | D |
|-------------|-----|----|-------|-----|
| JSX 2-5 | 199 | 58 | 160.5 | 357 |
| JSX 8-25 | 199 | 58 | 166.5 | 363 |
| JSX 40-85 | 220 | 64 | 170.5 | 367 |
| JSX 100-200 | 225 | 69 | 170.5 | 367 |



Parameter Table

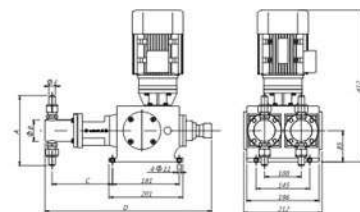
| Model | 50Hz | | | 60Hz | | | Pressure | | Plunger Dia. (mm) | Stroke Length (mm) | Power KW(HP) | Inlet&Outlet Size | Connection Size |
|-------------|------------|------------|-----|------------|------------|-----|----------|-------|-----------------------------|--------------------|--------------|-------------------|----------------------------|
| | Flow (lph) | Flow (gph) | SPM | Flow (gph) | Flow (lph) | SPM | (Bar) | (Psi) | | | | | |
| JSX 2/40 | 2 | 0.5 | 80 | 0.6 | 2.4 | 96 | 400 | 5800 | 6 | 20 | 0.37(0.5) | DN6 | 6*12mm (union for welding) |
| JSX 3/32 | 3 | 0.8 | | 1.0 | 3.6 | | 320 | 4640 | 8 | | | | |
| JSX 5/20 | 5 | 1.3 | | 1.6 | 6.0 | | 200 | 2900 | 10 | | | | |
| JSX 8/14 | 8 | 2.1 | | 2.5 | 9.6 | | 140 | 2030 | 12 | | | | |
| JSX 15/7.6 | 15 | 4.0 | | 4.8 | 18 | | 76 | 1102 | 16 | | | | |
| JSX 25/5.0 | 25 | 6.6 | | 7.9 | 30 | | 50 | 725 | 20 | | | | |
| JSX 40/3.2 | 40 | 11 | | 13 | 48 | | 32 | 464 | 25 | | | | |
| JSX 50/2.5 | 50 | 13 | | 16 | 60 | | 25 | 363 | 28 | | | | |
| JSX 70/2.0 | 70 | 18 | | 22 | 84 | | 20 | 290 | 32 | | | | |
| JSX 80/1.6 | 85 | 22 | | 27 | 102 | | 16 | 232 | 35 | | | | |
| JSX 100/1.3 | 100 | 26 | 32 | 120 | 13 | 189 | 38 | DN10 | 10*16mm (union for welding) | | | | |
| JSX 125/1.0 | 125 | 33 | 40 | 150 | 10 | 145 | 42 | | | | | | |
| JSX 150/1.3 | 150 | 40 | 48 | 180 | 13 | 189 | 38 | | | | | | |
| JSX 200/1.0 | 195 | 52 | 62 | 234 | 10 | 145 | 42 | | | | | | |
| | | | 120 | | 144 | | | | | | | | |



2J-X Series

Unit: mm

| Model | A | B | C | D |
|--------------|-----|----|----------|----------|
| 2J-X 5-60 | 192 | 58 | 166/178* | 449/461* |
| 2J-X 100 | 198 | 64 | 176/188* | 459/471* |
| 2J-X 130 | 198 | 64 | 176 | 459 |
| 2J-X 160 | 203 | 69 | 176 | 459 |
| 2J-X 200-300 | 203 | 69 | 176 | 459 |



Parameter Table

| Model | 50Hz | | | 60Hz | | | Pressure | | Plunger Dia. (mm) | Stroke Length (mm) | Power KW(HP) | Inlet&Outlet Size | Connection Size |
|--------------|------------|------------|-----|------------|------------|-----|----------|-------|-------------------|--------------------|--------------|-------------------|-----------------------------|
| | Flow (lph) | Flow (gph) | SPM | Flow (gph) | Flow (lph) | SPM | (Bar) | (Psi) | | | | | |
| 2J-X 5/40 | 5 | 1.3 | 96 | 1.6 | 6 | 115 | 400 | 5580 | 6 | 20 | 0.37(0.5) | DN6 | 6*12mm (union for welding) |
| 2J-X 8/32 | 8 | 2.1 | | 2.5 | 10 | | 320 | 4640 | 8 | | | | |
| 2J-X 16/20 | 16 | 4.2 | | 5.1 | 19 | | 200 | 2900 | 10 | | | | |
| 2J-X 25/14 | 25 | 6.6 | | 7.9 | 30 | | 140 | 2030 | 12 | | | | |
| 2J-X 40/5.4 | 40 | 11 | | 13 | 48 | | 54 | 783 | 16 | | | | |
| 2J-X 60/3.5 | 60 | 16 | | 19 | 72 | | 35 | 508 | 20 | | | | |
| 2J-X 100/2.2 | 100 | 26 | | 32 | 120 | | 22 | 319 | 25 | | | DN10 | 10*16mm (union for welding) |
| 2J-X 130/1.7 | 130 | 34 | | 41 | 156 | | 17 | 247 | 28 | | | | |
| 2J-X 160/1.3 | 160 | 42 | | 51 | 192 | | 13 | 189 | 32 | | | | |
| 2J-X 200/1.0 | 200 | 53 | | 63 | 240 | | 10 | 145 | 35 | | | | |
| 2J-X 250/0.8 | 250 | 66 | 79 | 300 | 8 | 116 | 38 | | | | | | |
| 2J-X 300/0.6 | 300 | 79 | 95 | 360 | 8 | 116 | 42 | | | | | | |

JSZ Series

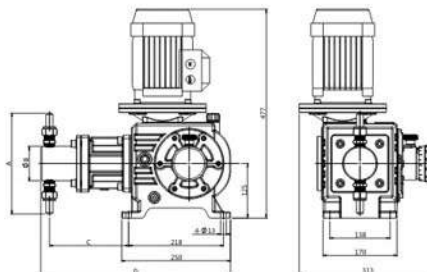


Parameter Table

| Model | 50Hz | | | 60Hz | | | Pressure | | Plunger Dia. (mm) | Stroke Length (mm) | Power KW(HP) | Inlet&Outlet Size | Connection Size |
|-------------|------------|------------|-----|------------|------------|-----|----------|-------|--------------------------------|--------------------|--------------|-------------------|--------------------------------|
| | Flow (lph) | Flow (gph) | SPM | Flow (gph) | Flow (lph) | SPM | (Bar) | (Psi) | | | | | |
| JSZ 6/40 | 6 | 1.6 | 96 | 1.9 | 7.2 | 115 | 400 | 5800 | 8 | 25 | 0.75(1) | DN6 | 6*12mm (union for welding) |
| JSZ 10/25 | 10 | 2.6 | | 3.2 | 12 | | 250 | 3625 | 10 | | | | |
| JSZ 15/20 | 15 | 4.0 | | 4.8 | 18 | | 200 | 2900 | 12 | | | | |
| JSZ 25/10 | 25 | 6.6 | | 7.9 | 30 | | 100 | 1450 | 16 | | | | |
| JSZ 40/6.3 | 40 | 11 | | 13 | 48 | | 63 | 914 | 20 | | | | |
| JSZ 65/4.5 | 65 | 17 | | 21 | 78 | | 45 | 653 | 25 | | | | |
| JSZ 80/3.6 | 80 | 21 | | 25 | 96 | | 36 | 522 | 28 | | | DN10 | 10*16mm (union for welding) |
| JSZ 110/2.8 | 110 | 29 | | 35 | 132 | | 28 | 406 | 32 | | | | |
| JSZ 130/2.3 | 130 | 34 | | 41 | 156 | | 23 | 334 | 35 | | | | |
| JSZ 160/2.0 | 160 | 42 | | 51 | 192 | | 20 | 290 | 38 | | | | |
| JSZ 190/1.6 | 190 | 50 | 60 | 228 | 16 | 232 | 42 | | | | | | |
| JSZ 270/1.1 | 270 | 71 | 86 | 324 | 11 | 160 | 50 | DN15 | 15*24mm (union for welding) | | | | |
| JSZ 330/0.9 | 330 | 87 | 105 | 396 | 9 | 131 | 55 | | | | | | |
| JSZ 400/0.8 | 400 | 106 | 127 | 480 | 8 | 116 | 60 | | | | | | |
| JSZ 500/0.9 | 500 | 132 | 159 | 600 | 9 | 131 | 55 | | | | | | |
| JSZ 600/0.6 | 600 | 159 | 190 | 720 | 6 | 87 | 60 | | | | | | |

Unit: mm

| Model | A | B | C | D |
|-------------|-----|----|-----|-----|
| JSZ 6-15 | 207 | 61 | 173 | 427 |
| JSZ 25 | 207 | 61 | 176 | 430 |
| JSZ 40 | 213 | 67 | 176 | 430 |
| JSZ 65-80 | 219 | 67 | 176 | 430 |
| JSZ 110-160 | 219 | 67 | 182 | 436 |
| JSZ 190 | 231 | 79 | 182 | 436 |
| JSZ 270 | 231 | 79 | 186 | 444 |
| JSZ 330-600 | 243 | 91 | 192 | 450 |



JSR Series

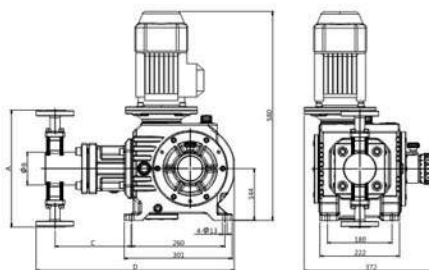


• Parameter Table

| Model | 50Hz | | | 60Hz | | | Pressure | | Plunger Dia. (mm) | Stroke Length (mm) | Power KW(HP) | Inlet&Outlet Size | Connection Size |
|--------------|------------|------------|-----|------------|------------|-----|----------|-------|-------------------|--------------------|--------------|-------------------|-----------------------------|
| | Flow (lph) | Flow (gph) | SPM | Flow (gph) | Flow (lph) | SPM | (Bar) | (Psi) | | | | | |
| JSR 6/50 | 6.5 | 1.7 | 96 | 2.1 | 7.8 | 115 | 500 | 7250 | 8 | 30 | 1.5(2) | DN6 | 6*12mm (union for welding) |
| JSR 16/40 | 16 | 4.2 | | 5.1 | 19 | | 400 | 5800 | 12 | | | | |
| JSR 30/22 | 30 | 7.9 | | 9.5 | 36 | | 220 | 3190 | 16 | | | | |
| JSR 50/14 | 50 | 13 | | 16 | 60 | | 140 | 2030 | 20 | | | | |
| JSR 80/9.0 | 80 | 21 | | 25 | 96 | | 90 | 1305 | 25 | | | | |
| JSR 100/7.5 | 100 | 26 | | 32 | 120 | | 75 | 1088 | 28 | | | | |
| JSR 130/5.6 | 130 | 34 | | 41 | 156 | | 56 | 812 | 32 | | | DN10 | 10*16mm (union for welding) |
| JSR 160/4.8 | 160 | 42 | | 51 | 192 | | 48 | 696 | 35 | | | | |
| JSR 190/4.0 | 190 | 50 | | 60 | 228 | | 40 | 580 | 38 | | | | |
| JSR 225/3.2 | 225 | 59 | | 71 | 270 | | 32 | 464 | 42 | | | | |
| JSR 260/2.8 | 260 | 69 | | 82 | 312 | | 28 | 406 | 45 | | | DN15 | 15*24mm (union for welding) |
| JSR 330/2.3 | 330 | 87 | | 105 | 396 | | 23 | 334 | 50 | | | | |
| JSR 400/1.8 | 400 | 106 | | 127 | 480 | | 18 | 261 | 55 | | | DN20 | DN20 DF |
| JSR 480/1.6 | 480 | 127 | | 152 | 576 | | 16 | 232 | 60 | | | | |
| JSR 550/1.3 | 550 | 145 | 174 | 660 | 13 | 189 | 65 | | | | | | |
| JSR 650/1.2 | 650 | 172 | 206 | 780 | 12 | 174 | 70 | | | | | | |
| JSR 800/1.0 | 800 | 211 | 144 | 254 | 960 | 173 | 10 | 145 | 65 | | | | |
| JSR 1000/1.0 | 990 | 262 | | 314 | 1188 | | 10 | 145 | 70 | | | | |

Unit: mm

| Model | A | B | C | D |
|--------------|-----|-----|-------|-----|
| JSR 6-16 | 207 | 61 | 184.5 | 490 |
| JSR 30-50 | 207 | 61 | 203.5 | 509 |
| JSR 80-130 | 213 | 61 | 194.5 | 400 |
| JSR 160-225 | 223 | 71 | 194.5 | 500 |
| JSR 260-330 | 233 | 81 | 198.5 | 508 |
| JSR 400-480 | 325 | 91 | 213 | 551 |
| JSR 550-1000 | 335 | 101 | 213 | 551 |



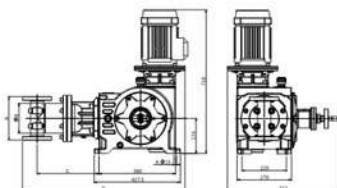
JSD Series



Parameter Table

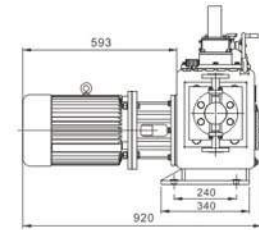
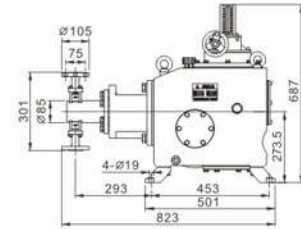
| Model | 50Hz | | | 60Hz | | | Pressure | | Plunger Dia. (mm) | Stroke Length (mm) | Power KW(HP) | Inlet&Outlet Size | Connection Size |
|--------------|------------|------------|-----|------------|------------|-----|----------|-------|-------------------|--------------------|--------------|-------------------|-----------------|
| | Flow (lph) | Flow (gph) | SPM | Flow (gph) | Flow (lph) | SPM | (Bar) | (Psi) | | | | | |
| JSD 23/50 | 23 | 6.1 | 100 | 7.3 | 28 | 120 | 500 | 7250 | 12 | 40 | 3(4) | DN10 | DN10 WN |
| JSD 40/40 | 40 | 11 | | 13 | 48 | | 400 | 5800 | 16 | | | | |
| JSD 63/28 | 63 | 17 | | 20 | 76 | | 280 | 4060 | 20 | | | | |
| JSD 105/18 | 105 | 28 | | 33 | 126 | | 180 | 2610 | 25 | | | DN15 | DN15 WN |
| JSD 175/11 | 175 | 46 | | 55 | 210 | | 110 | 1595 | 32 | | | | |
| JSD 240/8.0 | 240 | 63 | | 76 | 288 | | 80 | 1160 | 38 | | | | |
| JSD 300/6.3 | 300 | 79 | | 95 | 360 | | 63 | 914 | 42 | | | DN20 | DN20 RF |
| JSD 360/5.5 | 360 | 95 | | 114 | 432 | | 55 | 798 | 45 | | | | |
| JSD 450/4.5 | 450 | 119 | | 143 | 540 | | 45 | 653 | 50 | | | | |
| JSD 540/3.8 | 540 | 143 | | 171 | 648 | | 38 | 551 | 55 | | | DN25 | DN25 RF |
| JSD 650/3.2 | 650 | 172 | | 206 | 780 | | 32 | 464 | 60 | | | | |
| JSD 760/2.6 | 760 | 201 | | 241 | 912 | | 26 | 377 | 65 | | | | |
| JSD 900/2.3 | 900 | 238 | | 285 | 1080 | | 23 | 334 | 70 | | | DN32 | DN32 RF |
| JSD 1050/2.0 | 1050 | 277 | | 333 | 1260 | | 20 | 290 | 75 | | | | |
| JSD 1200/1.8 | 1200 | 317 | | 380 | 1440 | | 18 | 261 | 80 | | | | |
| JSD 1350/1.6 | 1350 | 357 | | 428 | 1620 | | 16 | 232 | 85 | | | DN40 | DN40 RF |
| JSD 1500/1.4 | 1500 | 396 | | 476 | 1800 | | 14 | 203 | 90 | | | | |
| JSD 1680/1.2 | 1680 | 444 | | 533 | 2016 | | 12 | 174 | 95 | | | | |
| JSD 1850/1.0 | 1850 | 489 | | 587 | 2220 | | 10 | 145 | 100 | | | DN32 | DN32 RF |
| JSD 2050/0.8 | 2050 | 542 | | 650 | 2460 | | 8 | 116 | 105 | | | | |
| JSD 2500/1.0 | 2500 | 661 | 793 | 3000 | 10 | 145 | 95 | | | | | | |
| JSD 3000/0.6 | 3000 | 793 | 150 | 951 | 3600 | 180 | 6 | 87 | 105 | DN40 | DN40 RF | | |

Unit: mm



| Model | A | B | C | D | Model | A | B | C | D |
|---------------|-----|-----|-------|-------|---------------|-----|-----|-------|-----|
| JSD 23-240 | 360 | 98 | 276.5 | 724.5 | JSD 1500-1680 | 407 | 128 | 275.5 | 749 |
| JSD 300-360 | 360 | 98 | 266.5 | 714.5 | JSD 1850 | 417 | 138 | 275.5 | 749 |
| JSD 450-760 | 328 | 98 | 276.5 | 729.5 | JSD 2050 | 216 | 148 | 308 | 806 |
| JSD 900-1050 | 349 | 108 | 269.5 | 730.5 | JSD 2500 | 407 | 128 | 275.5 | 749 |
| JSD 1200-1350 | 359 | 118 | 269.5 | 730.5 | JSD 3000 | 216 | 148 | 308 | 806 |

JDR Series

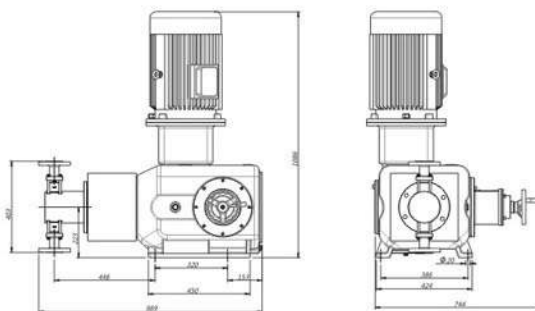


Parameter Table

| Model | 50Hz | | | 60Hz | | | Pressure | | Plunger Dia. (mm) | Stroke Length (mm) | Power KW(HP) | Inlet&Outlet Size | Connection Size |
|--------------|------------|------------|------|------------|------------|-----|----------|-------|-------------------|--------------------|--------------|-------------------|-----------------|
| | Flow (lph) | Flow (gph) | SPM | Flow (gph) | Flow (lph) | SPM | (Bar) | (Psi) | | | | | |
| JDR 92/50 | 92 | 24 | 96 | 29 | 110 | 115 | 500 | 7250 | 20 | 60 | 5.5(7.5) | DN15 | DN15 WN |
| JDR 145/32 | 145 | 38 | | 46 | 174 | | 320 | 4640 | 25 | | | | |
| JDR 190/18 | 190 | 50 | | 60 | 228 | | 250 | 3625 | 28 | | | | |
| JDR 240/20 | 240 | 63 | | 76 | 288 | | 200 | 2900 | 32 | | | | |
| JDR 430/11 | 430 | 114 | | 136 | 516 | | 110 | 1595 | 42 | | | DN20 | DN20 WN |
| JDR 520/9.0 | 520 | 137 | | 165 | 624 | | 90 | 1305 | 45 | | | | |
| JDR 650/8.0 | 650 | 172 | | 206 | 780 | | 80 | 1160 | 50 | | | | |
| JDR 780/6.5 | 780 | 206 | | 247 | 936 | | 65 | 943 | 55 | | | | |
| JDR 930/5.5 | 930 | 246 | | 295 | 1116 | | 55 | 798 | 60 | | | DN25 | DN25 RF |
| JDR 1100/4.6 | 1100 | 291 | | 349 | 1320 | | 46 | 667 | 65 | | | | |
| JDR 1300/4.0 | 1300 | 343 | | 412 | 1560 | | 40 | 580 | 70 | | | | |
| JDR 1480/3.5 | 1480 | 391 | | 469 | 1776 | | 35 | 508 | 75 | | | | |
| JDR 1700/3.0 | 1700 | 449 | | 539 | 2040 | | 30 | 435 | 80 | | | DN32 | DN32 RF |
| JDR 1920/2.8 | 1920 | 507 | | 609 | 2304 | | 28 | 406 | 85 | | | | |
| JDR 2150/2.4 | 2150 | 568 | | 682 | 2580 | | 24 | 348 | 90 | | | | |
| JDR 2400/2.2 | 2400 | 634 | | 761 | 2880 | | 22 | 319 | 95 | | | | |
| JDR 2680/2.0 | 2680 | 708 | | 850 | 3216 | | 18 | 261 | 100 | | | DN40 | DN40 RF |
| JDR 3250/1.6 | 3250 | 859 | | 1030 | 3900 | | 15 | 218 | 110 | | | | |
| JDR 3860/1.3 | 3860 | 1020 | | 1224 | 4632 | | 13 | 189 | 120 | | | | |
| JDR 4550/1.1 | 4550 | 1202 | | 1443 | 5460 | | 11 | 160 | 130 | | | | |
| JDR 5260/1.0 | 5260 | 1390 | 1668 | 6312 | 10 | 145 | 140 | DN50 | DN50 RF | | | | |
| JDR 6050/0.8 | 6050 | 1598 | 1918 | 7260 | 8 | 116 | 150 | | | | | | |



J-T Series



Parameter Table

| Model | 50Hz | | | 60Hz | | | Pressure | | Plunger Dia. (mm) | Stroke Length (mm) | Power KW(HP) | Inlet&Outlet Size | Connection Size |
|---------------|------------|------------|------|------------|------------|-----|----------|-------|-------------------|--------------------|--------------|-------------------|-----------------|
| | Flow (lph) | Flow (gph) | SPM | Flow (gph) | Flow (lph) | SPM | (Bar) | (Psi) | | | | | |
| J-T 180/50 | 186 | 49 | 93 | 59 | 223 | 112 | 500 | 7250 | 25 | 80 | 11(15) | DN15 | DN15 WN |
| J-T 220/40 | 229 | 61 | | 73 | 275 | | 400 | 5800 | 28 | | | | |
| J-T 300/30 | 304 | 80 | | 96 | 365 | | 300 | 4350 | 32 | | | | |
| J-T 450/22 | 455 | 120 | | 144 | 546 | | 220 | 3190 | 38 | | | DN20 | DN20 WN |
| J-T 550/18 | 556 | 147 | | 176 | 667 | | 180 | 2610 | 42 | | | | |
| J-T 780/12 | 788 | 208 | | 250 | 946 | | 120 | 1740 | 50 | | | DN25 | DN25 RF |
| J-T 1000/10 | 1000 | 264 | | 317 | 1200 | | 100 | 1450 | 55 | | | | |
| J-T 1200/8.5 | 1200 | 317 | | 380 | 1440 | | 85 | 1233 | 60 | | | | |
| J-T 1400/7.5 | 1420 | 375 | | 450 | 1704 | | 75 | 1088 | 65 | | | DN32 | DN32 RF |
| J-T 1650/6.5 | 1665 | 440 | | 528 | 1998 | | 65 | 943 | 70 | | | | |
| J-T 1900/5.5 | 1910 | 505 | | 606 | 2292 | | 55 | 798 | 75 | | | | |
| J-T 2200/4.8 | 2200 | 581 | | 697 | 2640 | | 48 | 696 | 80 | | | DN40 | DN40 RF |
| J-T 2480/4.3 | 2485 | 657 | | 788 | 2982 | | 43 | 624 | 85 | | | | |
| J-T 2800/3.8 | 2800 | 740 | | 888 | 3360 | | 38 | 551 | 90 | | | | |
| J-T 3100/3.5 | 3130 | 827 | | 992 | 3756 | | 35 | 508 | 95 | | | DN50 | DN50 RF |
| J-T 3460/3.1 | 3468 | 916 | | 1099 | 4162 | | 31 | 450 | 100 | | | | |
| J-T 4200/2.6 | 4200 | 1110 | | 1332 | 5040 | | 26 | 377 | 110 | | | | |
| J-T 5000/2.2 | 5000 | 1321 | | 1585 | 6000 | | 22 | 319 | 120 | | | DN65 | DN65 RF |
| J-T 5800/1.8 | 5890 | 1556 | | 1867 | 7068 | | 18 | 261 | 130 | | | | |
| J-T 6800/1.6 | 6830 | 1804 | | 2165 | 8196 | | 16 | 232 | 140 | | | | |
| J-T 7800/1.4 | 7840 | 2071 | 2486 | 9408 | 14 | 203 | 150 | DN65 | DN65 RF | | | | |
| J-T 8900/1.2 | 8920 | 2357 | 2828 | 10704 | 12 | 174 | 160 | | | | | | |
| J-T 10000/1.1 | 10050 | 2655 | 3186 | 12060 | 11 | 160 | 170 | | | | | | |
| J-T 11300/0.9 | 11330 | 2993 | 3592 | 13596 | 9 | 131 | 180 | DN65 | DN65 RF | | | | |
| J-T 12600/0.8 | 12600 | 3329 | 3995 | 15120 | 8 | 116 | 190 | | | | | | |
| J-T 14000/0.6 | 14000 | 3699 | 4439 | 16800 | 6 | 87 | 200 | | | | | | |